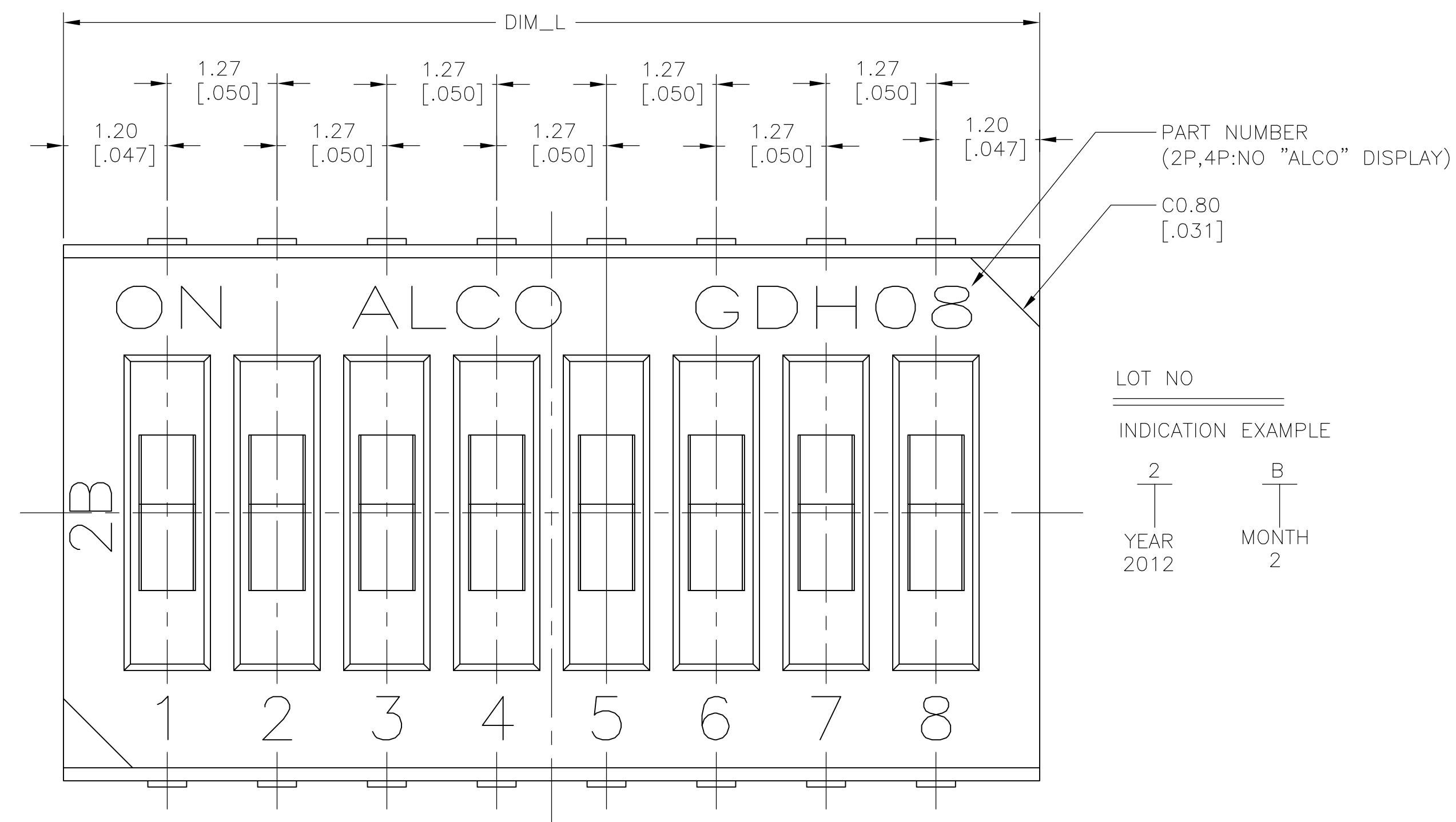


REVISONS		DATE	BY	APPV
B	REVISED PER ECO-12-011893	27JUN12	KH	PO



PART NUMBER  
(2P,4P:NO "ALCO" DISPLAY)

00.80  
[.031]

LOT NO \_\_\_\_\_

INDICATION EXAMPLE

2 B

YEAR MONTH

2012 2

**SPECIFICATIONS:**

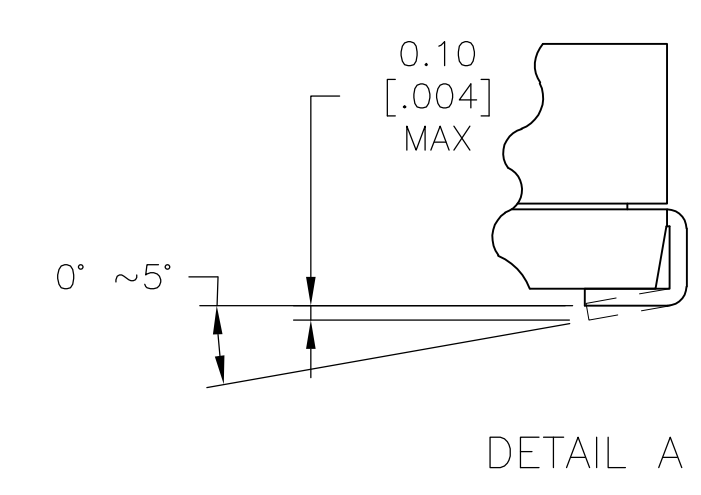
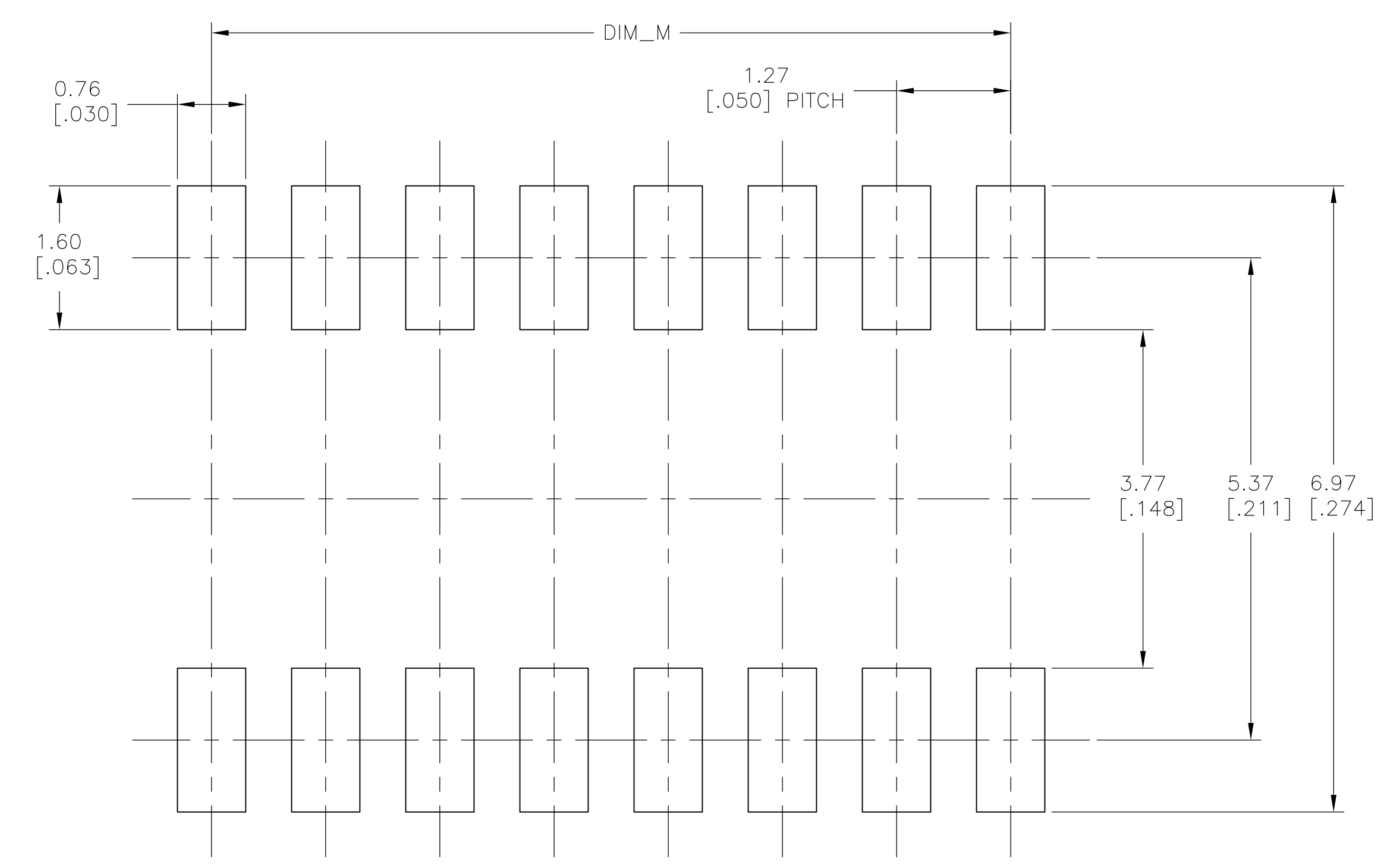
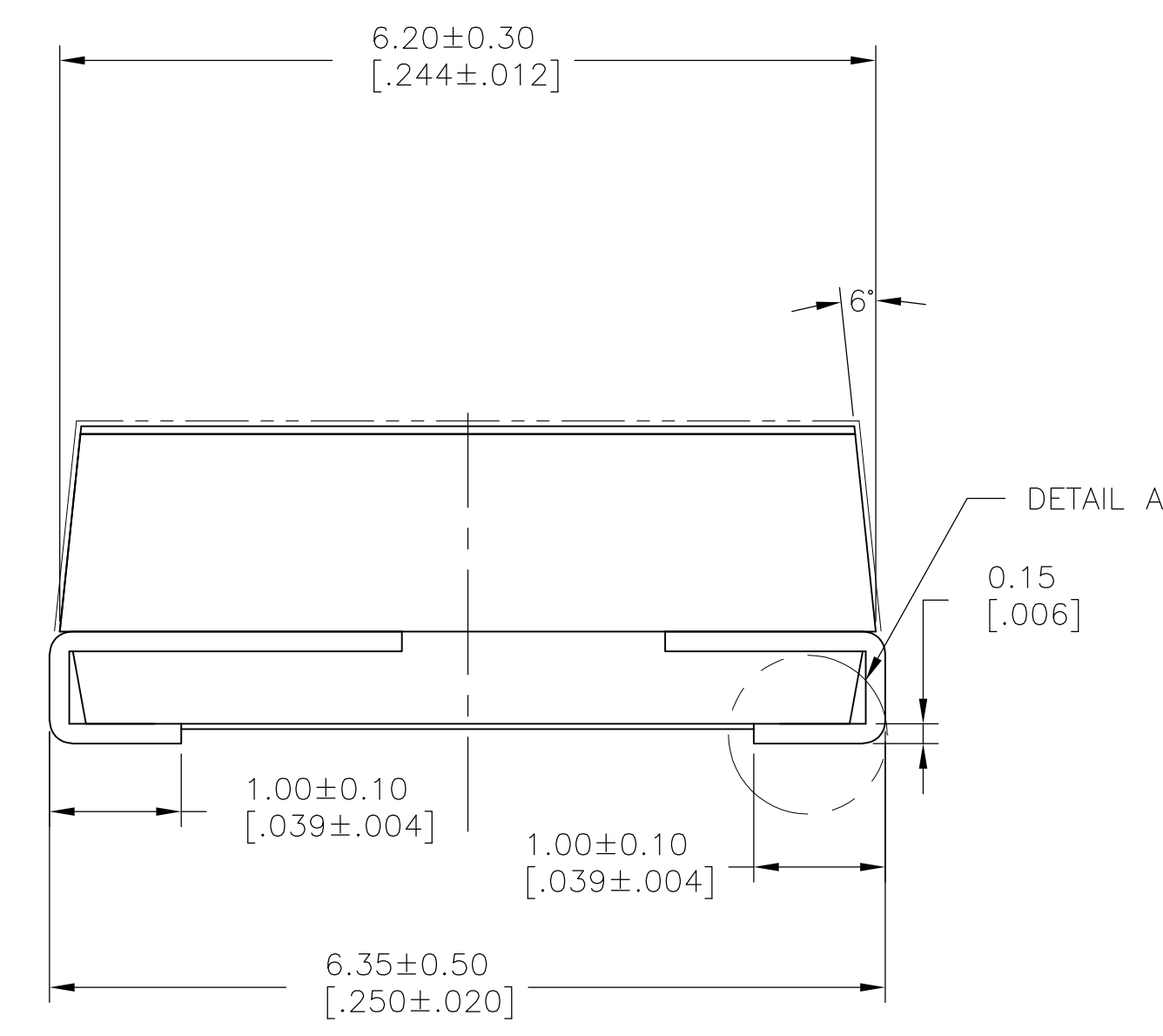
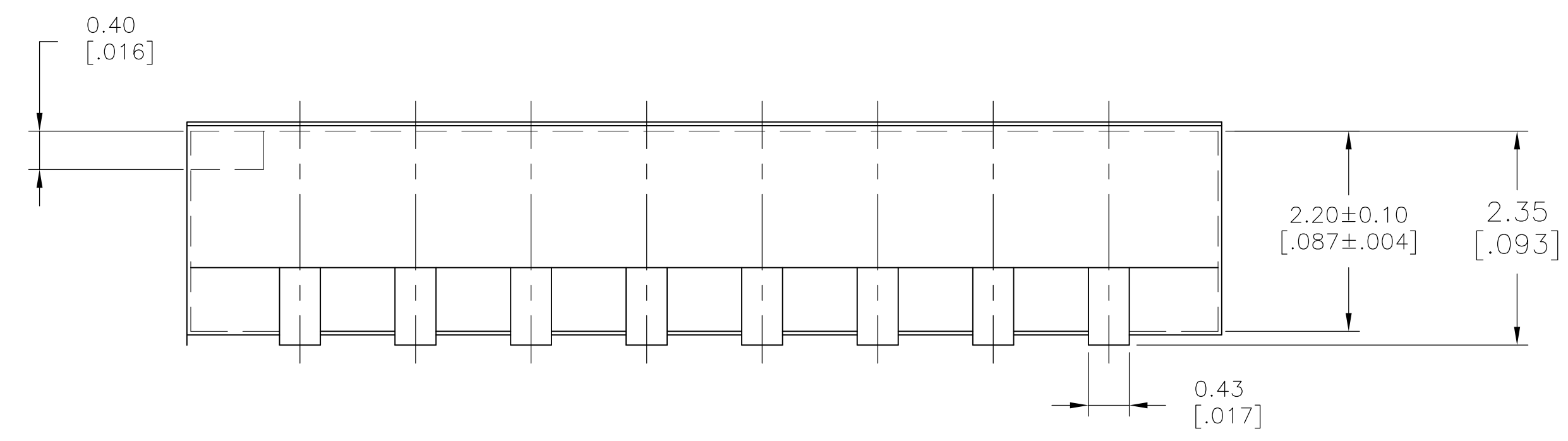
**MATERIALS:**  
CASE-PPS UL94V-0, BLACK  
COVER-PPS UL94V-0, BLACK  
ACTUATOR-LCP UL94V-0, WHITE  
FIXED CONTACT-COPPER ALLOY, GOLD OVER NICKEL PLATE  
MOVING CONTACT-COPPER ALLOY, GOLD OVER NICKEL PLATE  
TERMINAL-COPPER ALLOY, GOLD OVER NICKEL PLATE  
TAPE SEAL-POLYIMIDE FILM

**ELECTRICAL:**  
CONTACT RATING: NON-SWITCHING: 100 MILLIAMPS @50VDC  
SWITCHING: 25 MILLIAMPS @24 VDC  
INITIAL CONTACT RESISTANCE: 100 MILLIOHMS MAX. @2VDC, 10mA.  
CONTACT RESISTANCE(AFTER TESTS): 300MILLIOHMS MAX.@2VDC.10mA,  
INSULATION RESISTANCE: 100 MEGOHMS MIN @100VDC  
DIELECTRIC STRENGTH: 300 VAC, 1MINUTE.  
LIFE EXPECTANCY: 1000 CYCLES MIN.

**MECHANICAL:**  
ACTUATION FORCE: 4.94(490gf) MAX.

**ENVIRONMENTAL:**  
OPERATING TEMPERATURE: -30°C TO +85°  
STORAGE TEMPERATURE: -45°C TO +100°C  
SOLDER HEAT RESISTANCE PER 109-201, CONDITION B SWITCH IN OFF POSITION  
SOLDER ABILITY PER JIS C 0050 & JIS C 0053.

- NOTES:**
- SUPPLIED WITH TAPE SEAL STANDARD
  - SWITCH IS TO HAVE OVERALL HEIGHT AS SHOWN
  - ALL MATERIALS AND FINISHES SHALL COMPLY WITH EU DIRECTIVE 2002/95/EC OF 27JAN2003 (ROHS)
  - SUPPLIED PACKAGED IN A TUBE.



MOUNTING PAD DIMENSIONS(5/1)

10	11.43[.450]	13.83[.544]	GDH10SA04	1977830-5
8	8.89[.350]	11.29[.444]	GDH08SA04	1977830-4
6	6.35[.250]	8.75[.344]	GDH06SA04	1977830-3
4	3.81[.150]	6.21[.244]	GDH04SA04	1977830-2
2	1.27[.05]	3.67[.144]	GDH02SA04	1977830-1
POS	DIM M	DIM L ±0.50[.020]	ALCO DISCRPTION	TE P/N

THIS DRAWING IS A CONTROLLED DOCUMENT.

DTN: KIRAN HOLAL 30MAR2012  
CHK: OTT.PETER 30MAR2012  
APVD: OTT.PETER 30MAR2012

**STE** TE Connectivity

NAME: SERIES GDH  
GDH02SA04~GDH10SA04

PRODUCT SPEC: APPLICATION SPEC

SIZE: A1  
CAGE CODE: 00779  
DRAWING NO: 1977830

RESTRICTED TO: CUSTOMER DRAWING

SCALE: 20:1 SHEET 1 OF 1 REV B